

Dash Board / Instrument Panel: Service and Repair

Instrument Panel Assembly Replacement

INSTRUMENT PANEL ASSEMBLY

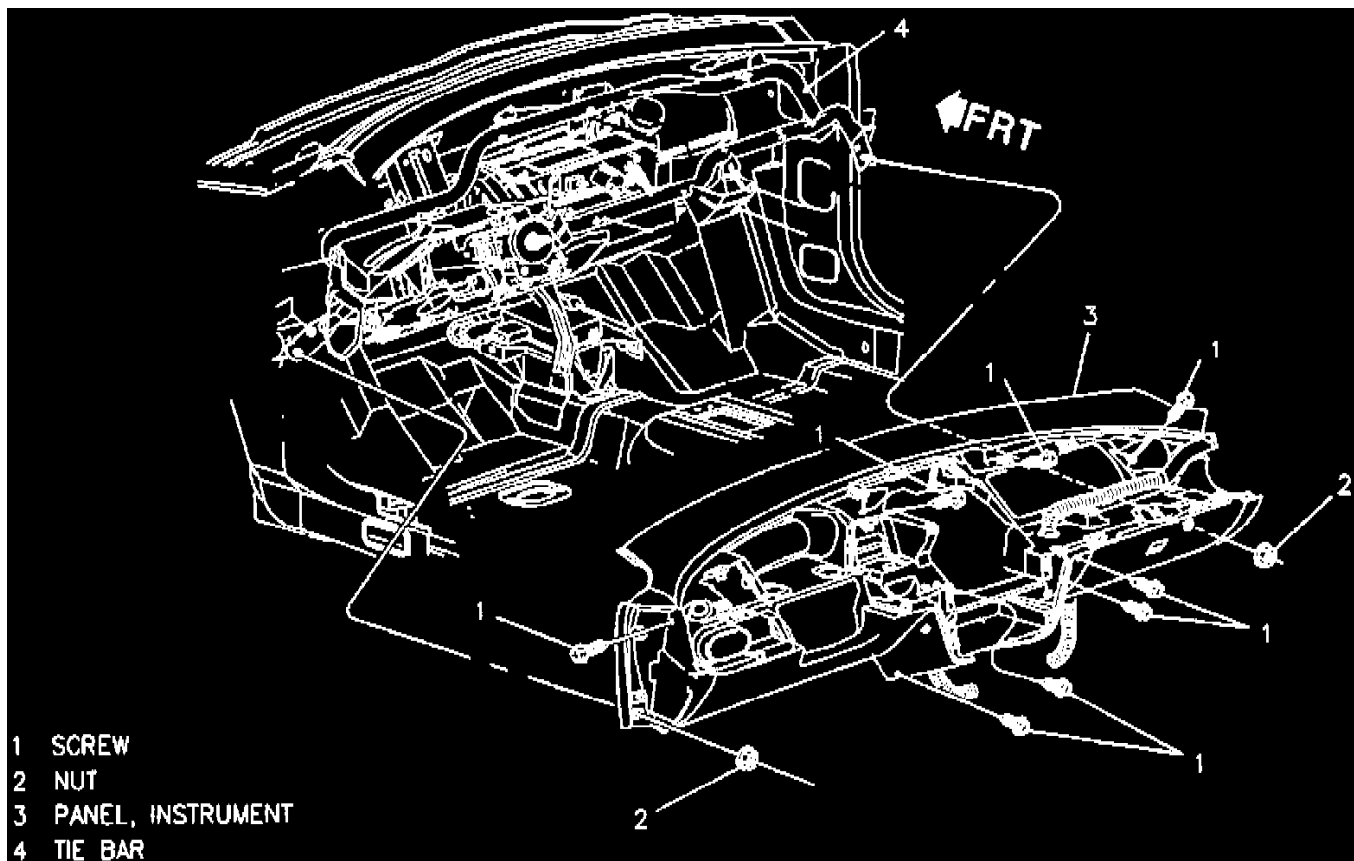
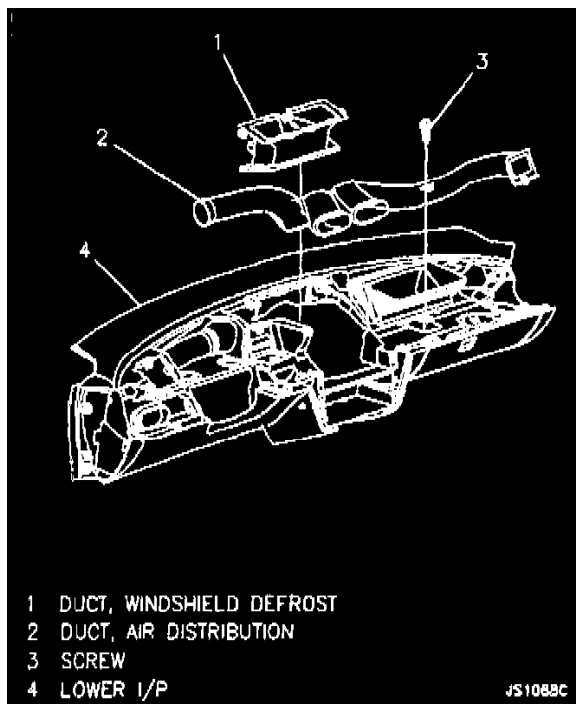
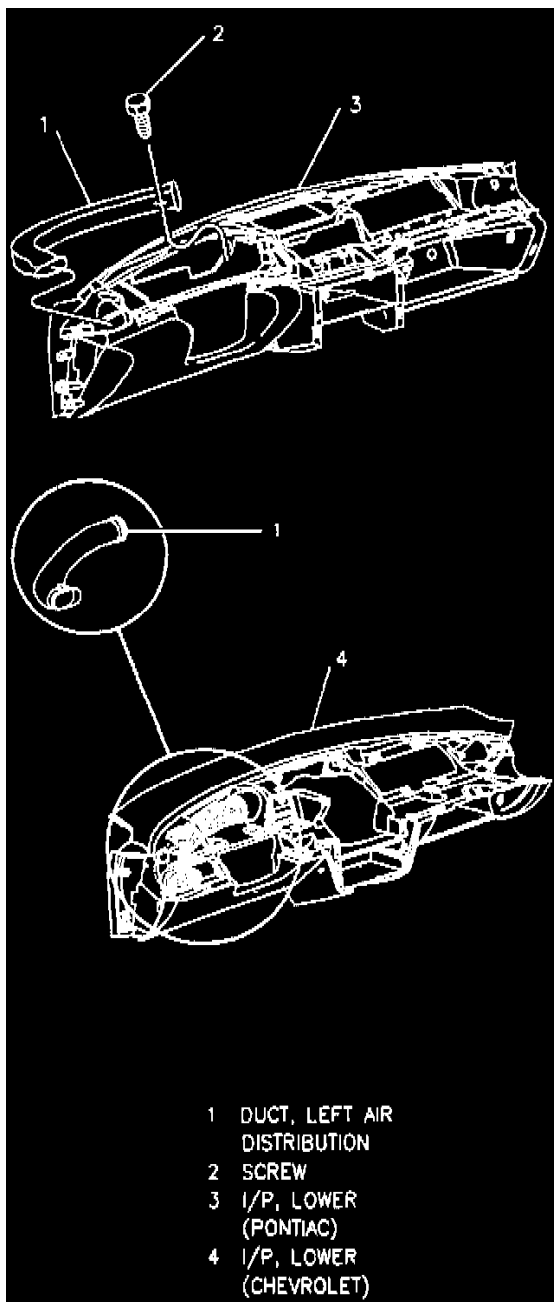


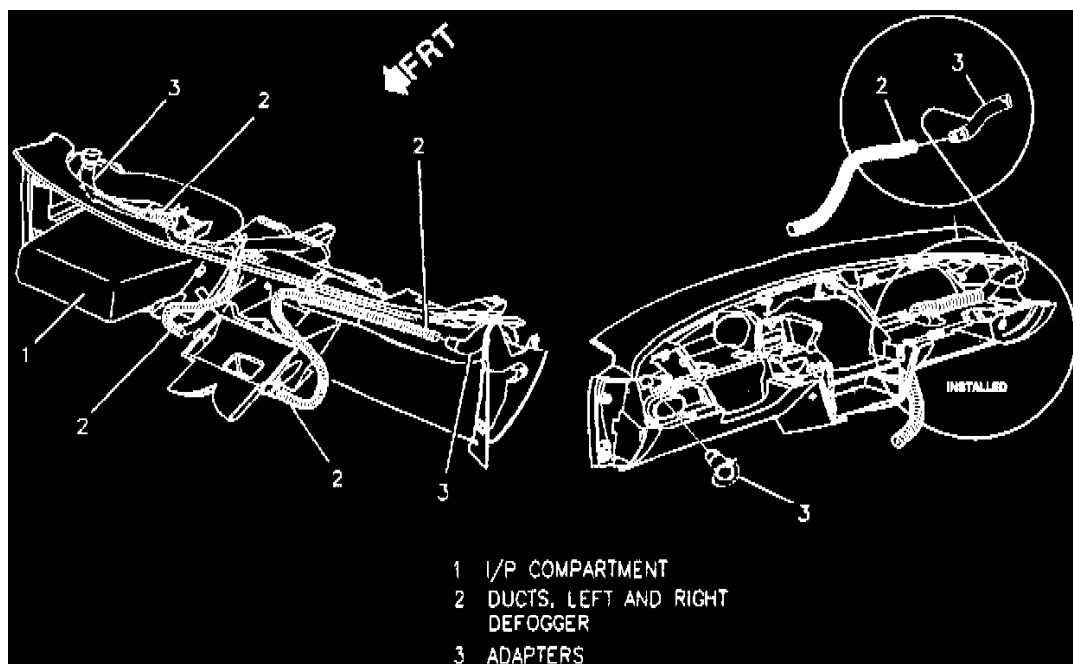
Fig. 39 Instrument Panel Replacement



I/P Air Distribution Duct



I/P Left Air Distribution Duct



I/P Left And Right Defogger Ducts

REMOVE OR DISCONNECT

1. Negative battery cable.
2. Disable SIR system. See: Air Bag(s) Arming and Disarming/Service and Repair
3. Defroster grille.
4. End caps.
5. I/P trim pad.
6. Instrument cluster trim plate.
7. HVAC control. See: Heating and Air Conditioning/Control Assembly/Service and Repair
8. Radio. See: Accessories and Optional Equipment/Radio, Stereo, and Compact Disc/Radio/Stereo/Service and Repair
9. Air distribution ducts.
10. I/P compartment lamp electrical connector.
11. Screws to tie bar.
12. Panel from tie bar.

INSTALL OR CONNECT

1. Panel to tie bar.
2. Screws to tie bar.
3. I/P compartment lamp electrical connector.
4. Air distribution ducts.
5. Radio.
6. HVAC control.
7. Instrument cluster trim plate.
8. I/P trim pad.
9. End caps.
10. Defroster grille.
11. Enable SIR system.